



GX series, indispensable.



- Total protection against liquids: IP-68.
- Double LED display, very bright.
- Weight limits with visual and sound indication.
- Electronic filter to weigh unstable items.
- Internal rechargeable battery and power 220V.
- Battery state indicator.
- Protection against overload.



Double auxiliary display

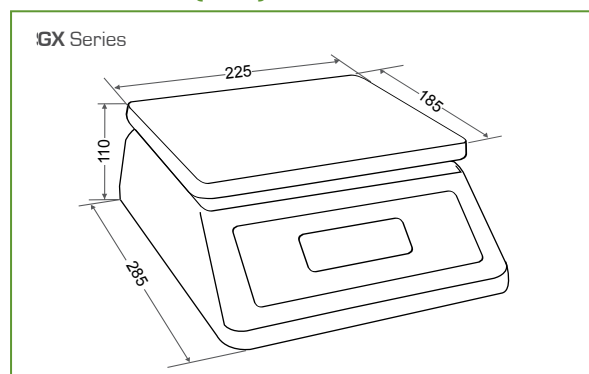
It has a very bright LED screen and double display to share weighing data on the auxiliary screen.



Technical specifications

Power: 220V
 Rechargeable battery: 6V 4 A/h
 Operating temperature +10°C / +40°C

External size (mm)



Technical features

Model	GX-6000	GX-15K	GX-30K
Reference	4576	4577	4578
Capacity	6000 g	15000 g	30000 g
Readability	0,5 g	1 g	2 g
Weight units	g, gm2, oz, ct		
Structure	Stainless steel and ABS		
Pan size (mm)	225 x 185		
Total size (mm)	235 x 285 x 110		
Total net weight (kg)	3,8		